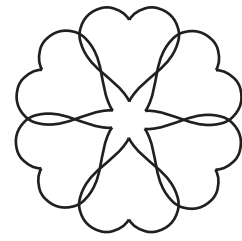


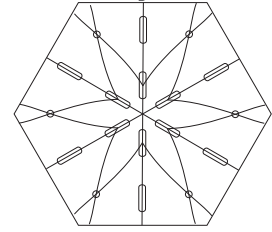
# DeLoa's Piece of My Heart

## Heart Wreath Instructions

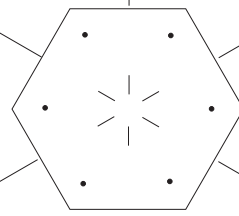


1. Trace around tool with your favorite marking pen or chalk.
2. Using the tic marks as a guide, mark the center of each side. Also mark the cut out portions near the center of the tool.
3. Mark the small holes around the wreath. This is where the hearts will intersect and allows you to make the wreath with just one start/stop. Remove the wreath tool and extend the center lines out 2-3 inches.
4. When you are done marking, it should look like the drawing in figure #2.
5. Place the heart ruler so that the crosshairs of the ruler match the horizontal and vertical line of your marking. Sew from the top to the bottom and back to the dot. Leave needle down. (Figure #3)
6. Flip ruler around and line up the cross hairs again on the next flat side. This time you will be using the "INNY" portion of the ruler. Sew down to the bottom of the heart and back up to the top. Leave your needle down. (Figure #4)
7. Flip ruler back to right side up and sew the right side of that heart. (Sew to the bottom of the heart and back up to the dot.) Figure #5
8. Continue around the wreath by repeating steps 6-7. Remove markings.

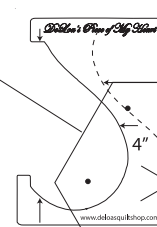
1.



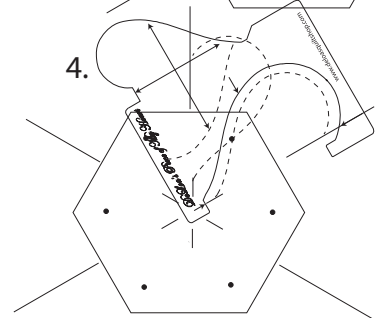
2.



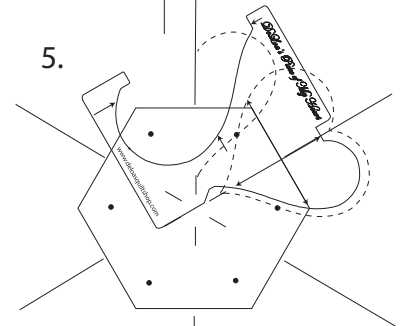
3.



4.



5.



**Finished Wreath**

